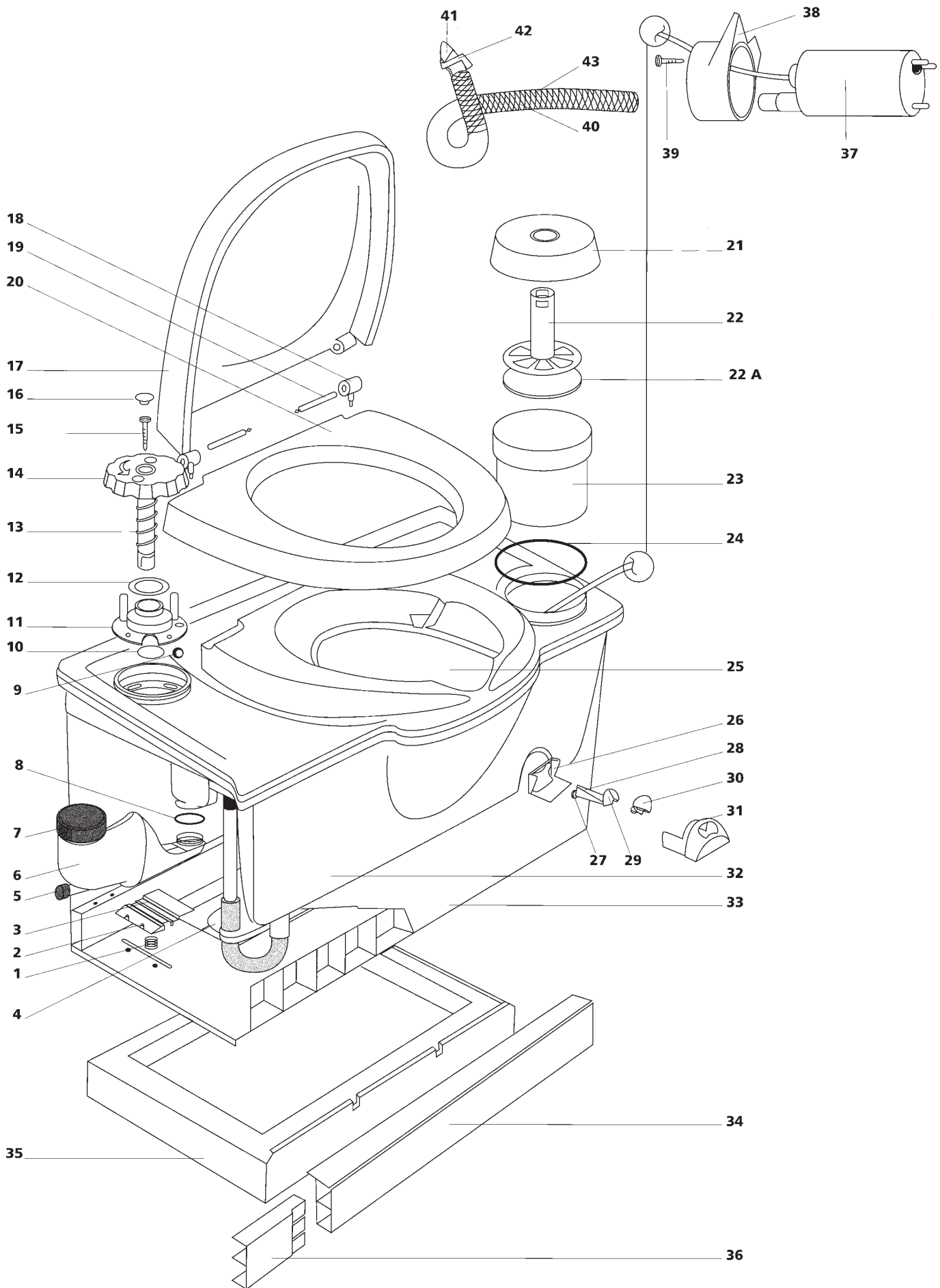


Cassette C2



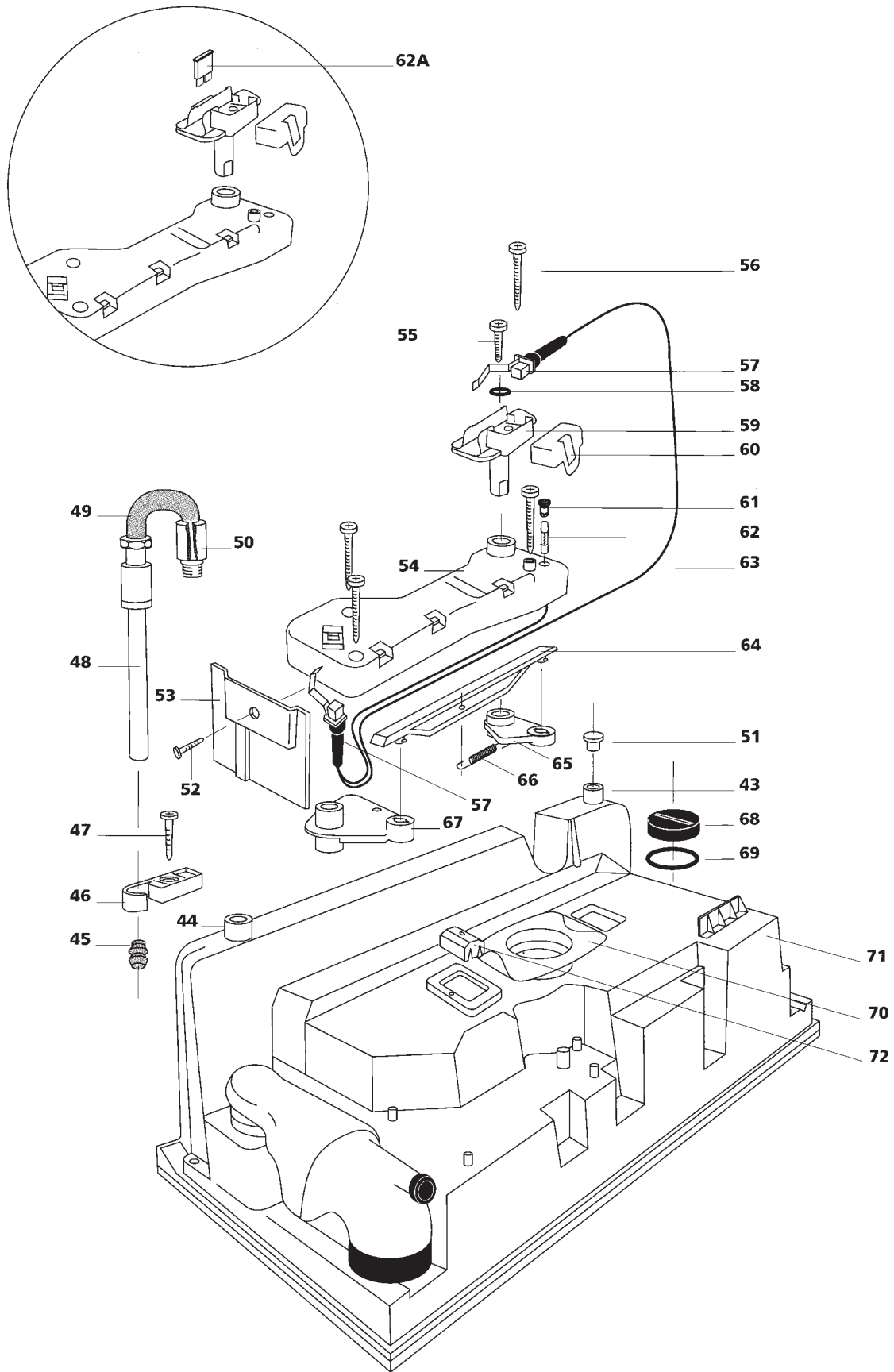
(LO-019.00)

Cassette C2 (LO-049.01)

Spare part	Single spare part number	Assembly spare part number	Available in colour number
1. Spring clip retainer	16169		
2. Clip retainer		16350	78
3. Clip			
4. Drip tray	16166		78
5. Draincap waterfillfunnel	16385		78
6. Waterfillfunnel		16381	74
7. Cap waterfillfunnel	16848		78
8. O-ring			
9. Ball float			
10. O-ring			
11. Stop retainer			
12. Nylon bushing			
13. Spring flush knob			
14. Flush knob		16377	62
15. Screw			
16. Plug flush knob			
17. Cover		16194	62
18. Hinge post	16183		10/62/70
19. Hinge pin			
20. Seat			
21. Tissue cap			
22. Tissue holder		16184	62/70
22. A Tissue bracket			
23. Tissuwell			
24. O-ring			
25. Bowl			
26. Dial support			
27. Magnet			
28. Level indicator dial			
29. Decal level indicator		16171	10/62/70
30. Lens			
31. Level indicator bezel			
32. Watertank			
33. Base			
34. Frontpanel			
35. Basepad			
36. Extension frontpanel	16266		10/62
37. Pump	16374		
38. Pump retainer			
39. Screw			
40. Flush tube			
41. O-ring		16378	10/62
42. Nozzle			
43. Flow restrictor			
Pump connector		21050	

Cassette

C2



(LO-020.00)

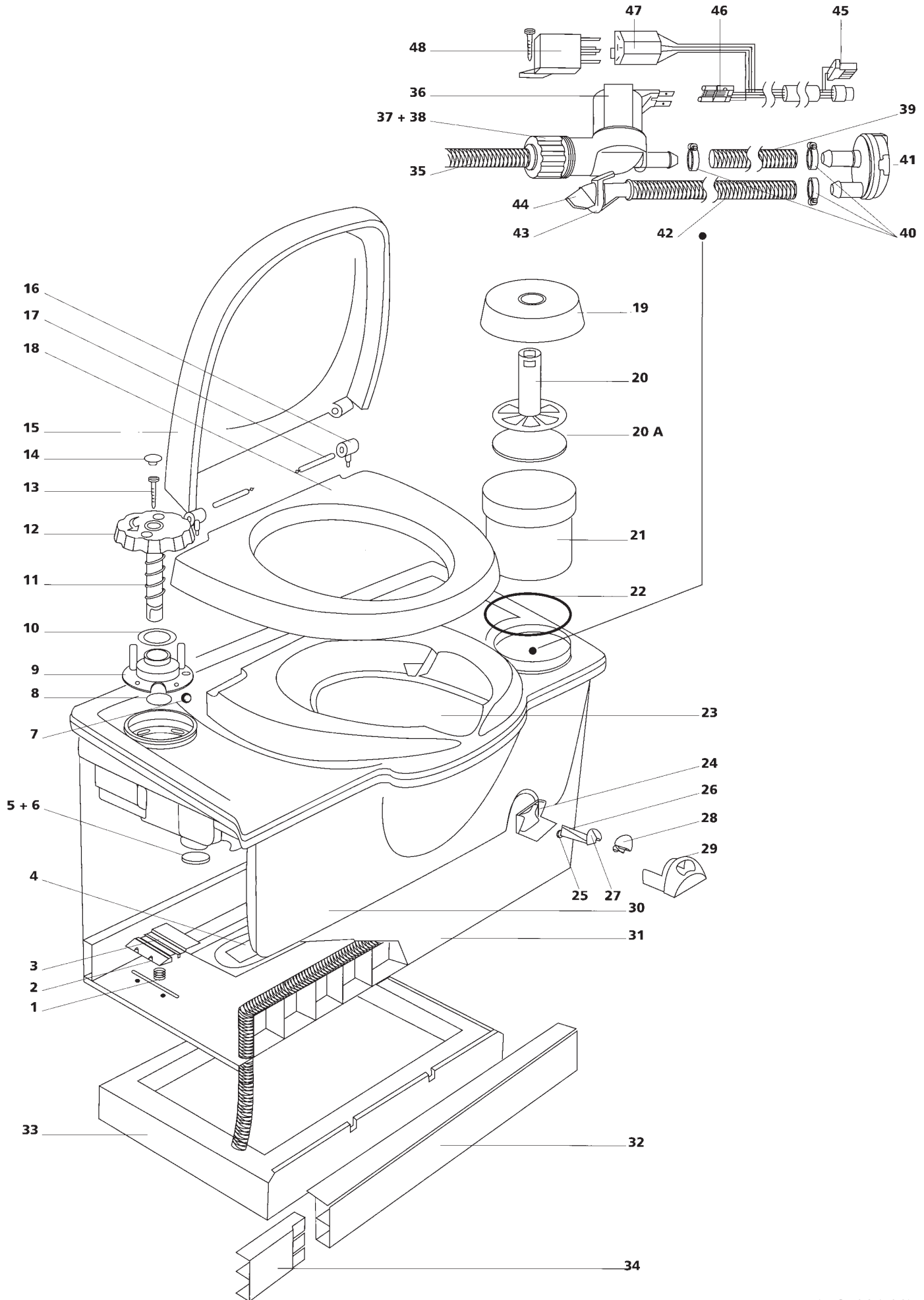
Cassette C2 bench (LO-050.00)

Spare part	Single spare part number	Assembly spare part number	Available in colour number
44. Connection draintube			
45. Drain connector			
46. Bracket			
47. Screw			
48. Sight glass			
49. Draintube		LH = 21370	
50. Clamp collar		RH = 21371	
51. Blind plug			
52. Skiffy fastener			
53. Splash guard			
54. Mechanism housing			
55. Screw			
56. Screw			
57. Switch	20107		
58. Washer			
59. Saddle			
60. Switch cover	16390		10
61. Cap fuse holder		16379	74
62. Glass fuse 3 Amp	16391		
62. A Fuse 3 Amp*	21766		
63. Cable	16389		
64. Link			
65. Crank			
66. Spring			
67. Crank			
68. Plug fill bottle			
69. O-ring			
70. Bowlflange			
71. Bench/watertank			
72. Magnet basket			

Cassette

* Toilets produced after June 1994

Cassette C3



(LO-021.00)

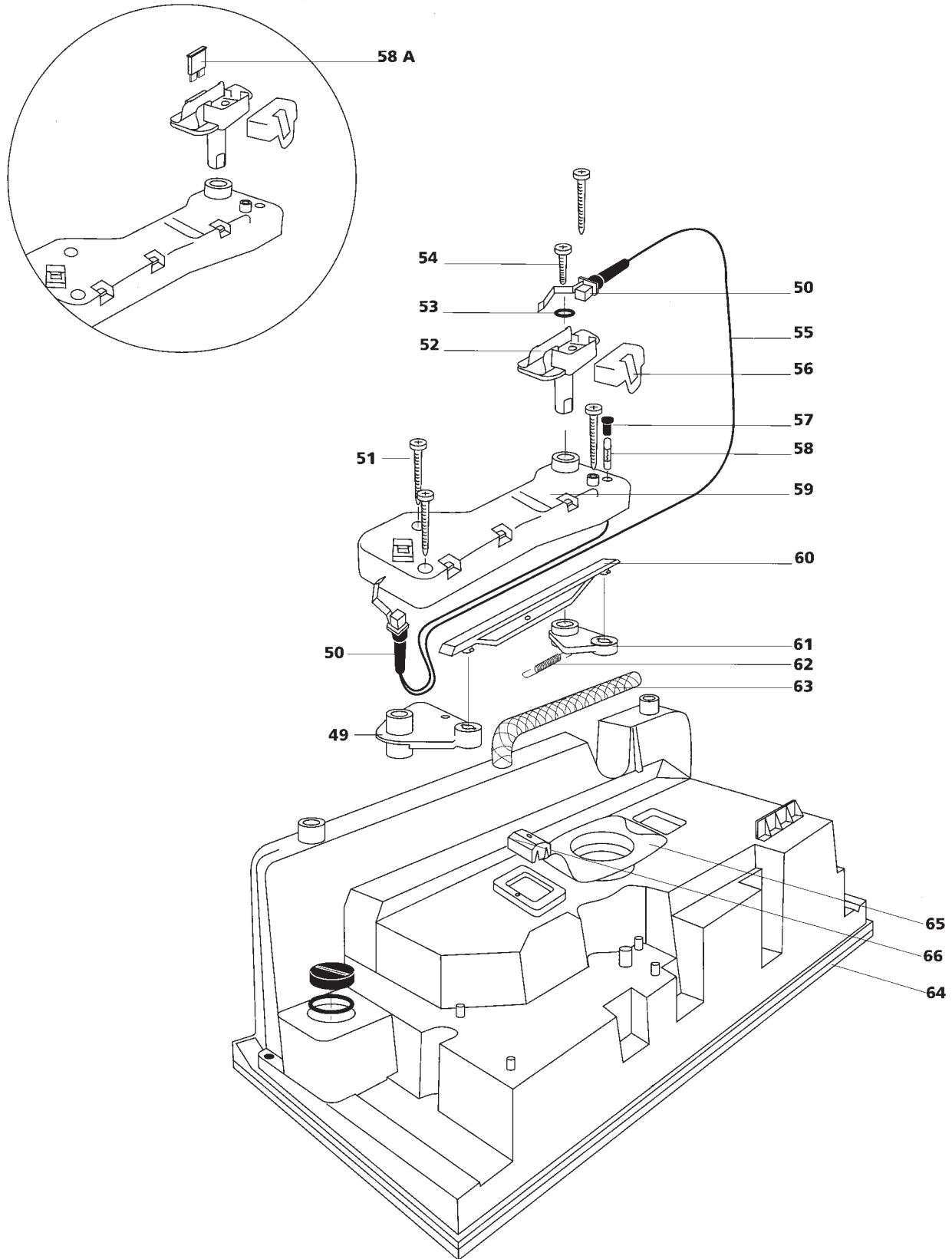
Cassette C3 (LO-051.00)

Spare part	Single spare part number	Assembly spare part number	Available in colour number
1. Spring clip retainer	16169	16350	78
2. Clip retainer			
3. Clip			
4. Drip tray	16166		78
5. Plug fill bottle			
6. O-ring			
7. Ball float			
8. O-ring			
9. Stop retainer			
10. Nylon bushing		16377	62
11. Spring flush knob			
12. Flush knob			
13. Screw			
14. Plug flush knob			
15. Cover		16194	62
16. Hinge post	16183		
17. Hinge pin			
18. Seat			
19. Tissue cap		16184	62/70
20. Tissue holder			
20. A Tissue bracket			
21. Tissuwell			
22. O-ring			
23. Bowl			
24. Dial support		16171	10/62/70
25. Magnet			
26. Level indicator dial			
27. Decal level indicator			
28. Lens			
29. Level indicator bezel			
30. Bench			
31. Base			
32. Frontpanel			
33. Basepad			
34. Extension frontpanel	16266		10/62
35. Watersupply tube		20104	
36. Electric valve			
37. Hose barb			
38. Hose nut			
39. Watertube			
40. Clamp			
41. Vacuumbreaker	16833		
42. Flush tube		20103	10/62
43. O-ring			
44. Nozzle			
45. Electric connection mechanism			
46. Electric connection valve			
47. Electric connection relay			
48. Relay	20106		

Cassette

For colournumber see page 68

C3



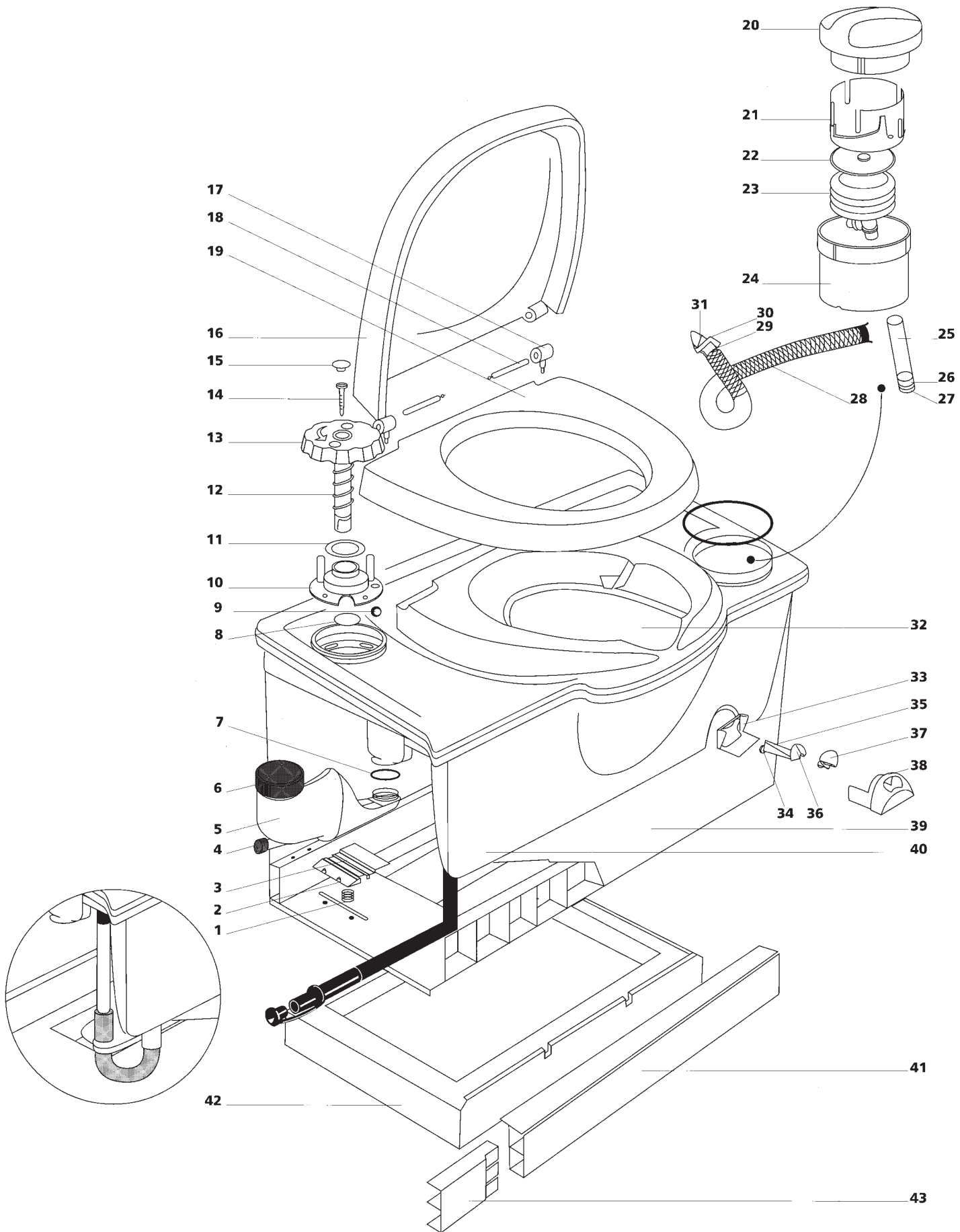
Cassette C3 bench (LO-052.00)

Spare part	Single spare part number	Assembly spare part number	Available in colour number	
49. Crank				
50. Switch	20107			
51. Screw				
52. Saddle				
53. Washer				
54. Screw				
55. Cable	16389		16379	74
56. Switch cover	16390			10
57. Cap fuse holder				
58. Glass fuse 3 Amp	16391			
58. A Fuse 3 Amp*	21766			
59. Mechanism housing				
60. Link				
61. Crank				
62. Spring				
63. Watersupply tube				
64. Bench				
65. Bowlflange				
66. Magnet basket				

Cassette

* Toilets produced after June 1994

Cassette C4



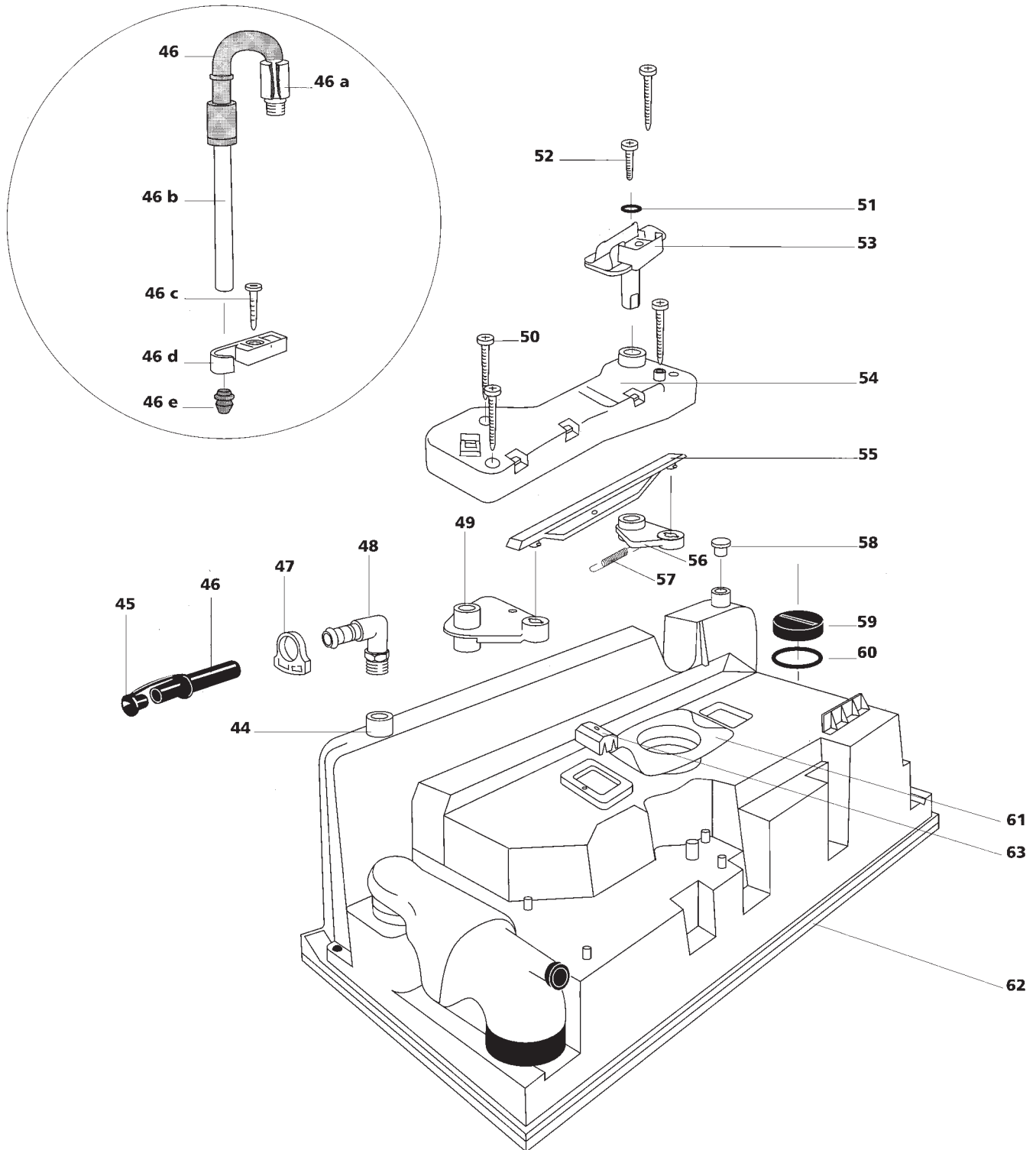
(LO-023.00)

Cassette C4 (LO-053.00)

Spare part	Single spare part number	Assembly spare part number	Available in colour number	
1. Spring clip retainer	16169	16350	78	
2. Clip retainer				
3. Clip				
4. Draincap waterfillfunnel	16385	16381	78	
5. Waterfillfunnel			74	
6. Cap waterfillfunnel	16848		78	
7. O-ring				
8. O-ring		16377	62	
9. Ball float				
10. Stop retainer				
11. Nylon bushing				
12. Spring flush knob				
13. Flush knob				
14. Screw				
15. Plug flush knob				
16. Cover		16194	62	
17. Hinge post	16183		10/62	
18. Hinge pin				
19. Seat				
20. Flush cap		20291	10/62	
21. Cylinder flush				
22. Bellow cap				
23. Bellow	21065			
24. Well pump				
25. Inlet tube				
26. Check valve body	21066			
27. Check valve flapper				
28. Flush tube				
29. Seal/plunger/spring	20292			10/62
30. O-ring				
31. Nozzle				
32. Bowl		16171	10/62	
33. Dial support				
34. Magnet				
35. Level indicator dial				
36. Decal level indicator				
37. Lens				
38. Level indicator bezel				
39. Base				
40. Watertank				
41. Frontpanel				
42. Basepad				
43. Extension frontpanel	16266		10/62	

Cassette

C4



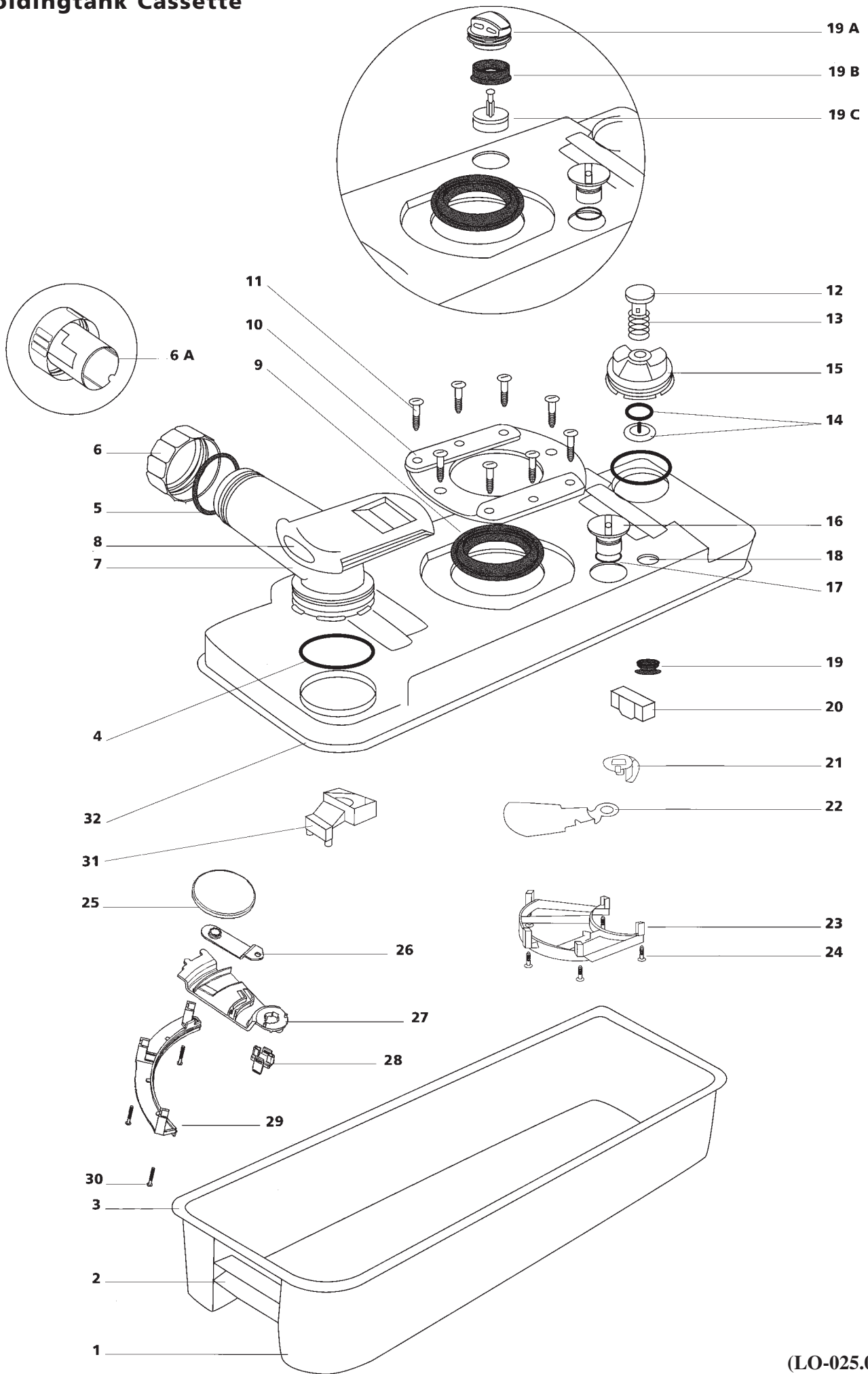
Cassette C4 bench (LO-054.00)

Spare part	Single spare part number	Assembly spare part number	Available in colour number
44. Connection draintube			
45. Draintube plug		16182	
46. Draintube			
46. A/E Draintube*	LH=21370 RH=21371		
47. Clamp			
48. Adaptor draintube			
49. Crank		20325	74
50. Screw			
51. Washer			
52. Screw			
53. Saddle			
54. Mechanism housing			
55. Link			
56. Crank			
57. Spring			
58. Blind plug			
59. Plug fill bottle			
60. O-ring			
61. Bowlflange			
62. Bench/watertank			
63. Magnet basket			

Cassette

*Toilets produced after March 1998

Holdingtank Cassette



(LO-025.00)

Holdingtank Cassette (LO-055.00)

Spare part	Single spare part number	Assembly spare part number	Available in colour number
1. Holdingtank lower			
2. Carry handle			
3. Weld holdingtank			
4. O-ring (+ 5.)	16195	16196	
5. Capseal			74
6. Dump cap (+ 5.)	16384		78
6. A Measuring cup	25810		78
7. Pour out Spout			
8. Sliding cover	21333		74
9. Lipseal ¹⁾	16175		
Lipseal ²⁾	23721		
10. Seal cover			
11. Screw			
12. Vent button		16176	74
13. Spring	07524		78
14. Seal retainer			
15. Ventplug			
16. Blade opener ³⁾		21458	74
17. Cupseal			
18. Venthole			
19. Ventseal	20339		
19. A Automatic vent upper ⁴⁾		23722	74
19. B Seal automatic vent	21528		
19. C Foam			
20. Float vent	21510		
21. Blade driver			
22. Blade			
23. Blade retainer			
24. Screw			
25. Blade	23847		
26. Blade arm			
Washer			
Screw			
27. Blade arm driver			
28. Drive arm retainer			
29. Track support			
30. Screw			
31. Float arm	21322		
32. Holdingtank upper			
Holdingtank RH complete:	21401 (Incl. Sliding cover)		74
Holdingtank LH complete:	21402 (Incl. Sliding cover)		74

Cassette

¹⁾Lipseal 16175 for toilets produced until 15 June 2000.

²⁾Lipseal 23721 for toilets produced after 15 June 2000.

³⁾Blade opener 21458-74 for toilets produced until 15 June 2000.

⁴⁾Automatic vent. 23722-74 for toilets produced after June 1993.