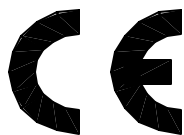


Specifications

Power supply	230 V ac
Power	60 W
Protection class	IP 56
Air extractor capacity	100 m ³ /h
Max noise	10 dB

Airtoilet complies with the following standards:

Directive n. 89/336/EEC and 93/68/EEC
EEC EN 1954 – EEC EN 60335
EEC EN 37



airtoilet

Instructions for installation and use



TECMA srl - Via Terni, zona ind.le Casal Ettore, I-01033 Civita Castellana (VT)
Tel. (++) 39 0761 515475 Fax 0761 515346
Internet: <http://www.tecma.net> e-mail: info@tecma.net

Installation instructions

Waterworks:

Airtoilet can be connected to any kind of cistern (high, low, recessed, flow-meter etc.).

All you have to do is connect the flushing system and the waste pipe by the traditional method used for all WC.

The connecting dimension of Airtoilet are in conformity with European standard EN 37.

Airtoilet has an incorporated valve to prevent the return of bad odours, in conformity with the test referred to in standards EN 1054 and can therefore be connected to the sewer.

Electrical wires:

Airtoilet has an EUROSHUKO model cord and plug.

All you have to do is plug it in to a regulation power point.

Using airtoilet

Airtoilet is the best solution for eliminating odours and vapours from lavatories.

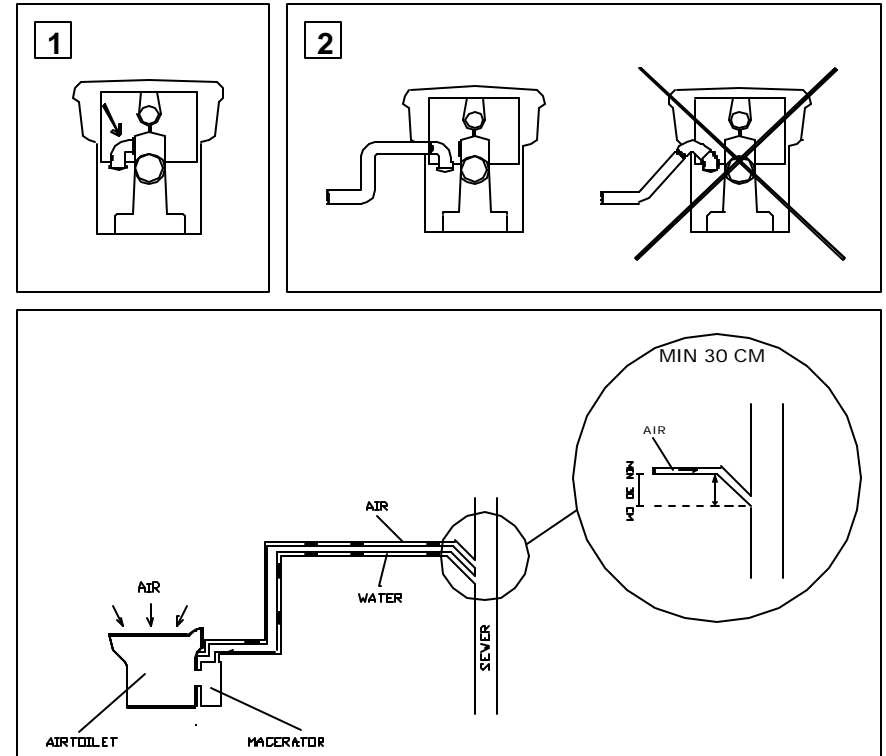
Airtoilet extracts the bad odours from inside the bowl and sends them down the sewer from where they are evacuated through the ventilation ducts.

Switch on the extractor using the button on the ceramic bowl and leave it on while using the lavatory.

Airtoilet guarantees maximum security from the electrical point of view.

The extractor and starting switch are powered at low voltage (24 V) by means of an incorporated transformer in conformity with standard EEC EN 60335.

Instructions for installation with macerator



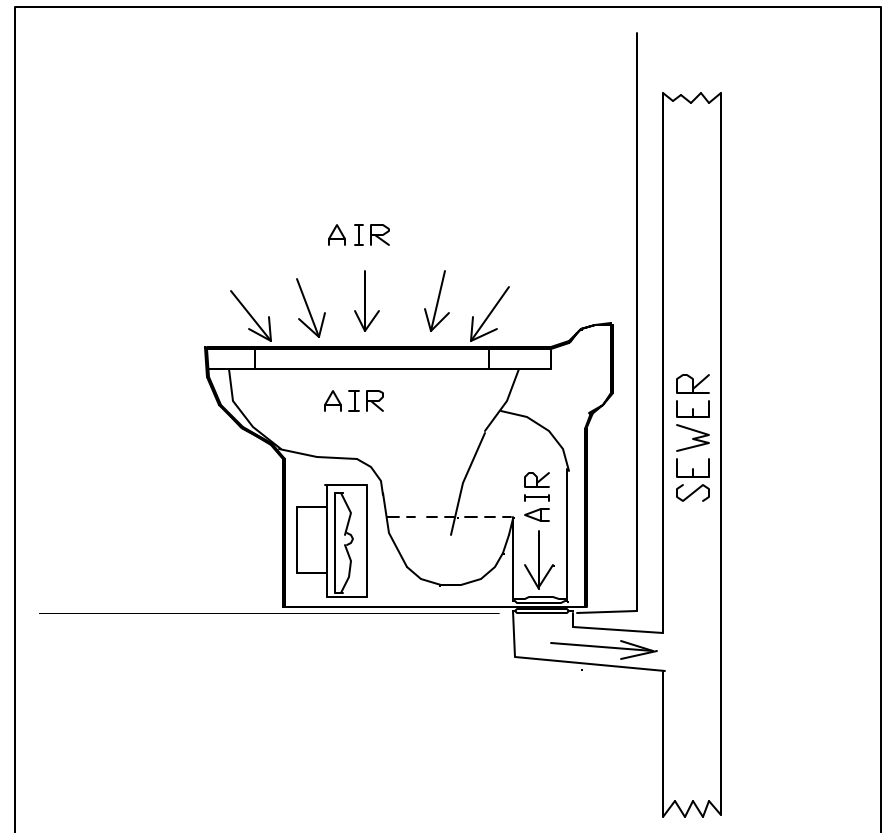
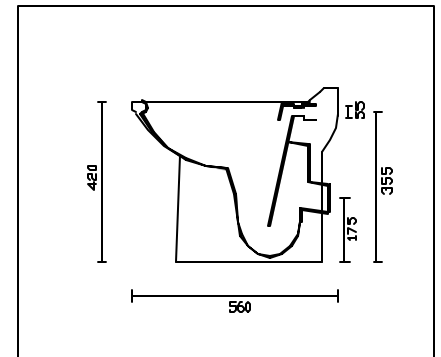
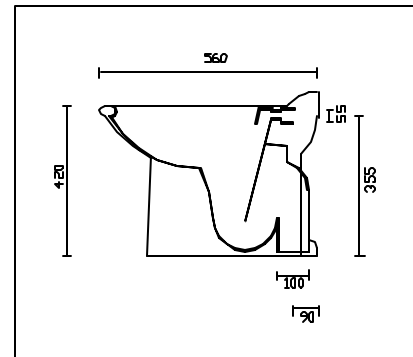
1. Disconnect the elbow indicated in fig. 1.
2. Connect the elbow to the prepared air-discharge pipe to the sewage pipe, leaving the elbow in the original position as shown in fig. 2.
3. Close the hole where the elbow was positioned previously with a 32 mm. plug.

It is well known that in lavatories where automatic devices for macerating and pumping sewage and waste water (macerator tanks) there is often no window and therefore, both for practical reasons and in order to conform with the regulations in force, an air extractor must be connected to the top of the building.

It is often impossible to make a ventilation connection with the outside for the type of lavatories described or, at least, it is not always convenient and economical, particularly when rooms to be ventilated are on the lower floors.

Not only does the situation briefly described often make it impossible to install a lavatory but in any case it causes inconvenience to the user and, obviously, makes installation longer and more costly.

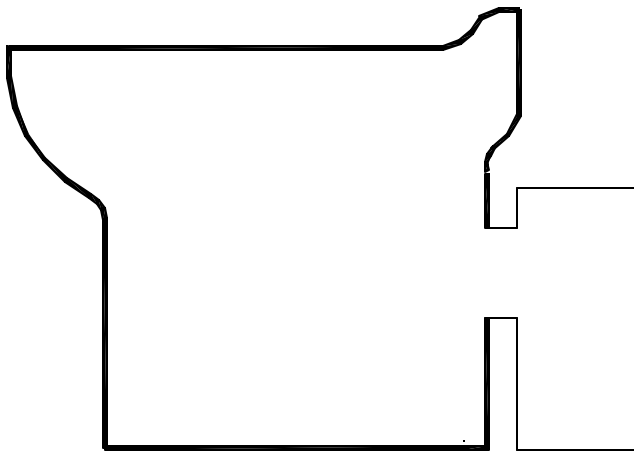
airtoilet, connected to any macerator tank, extracts the air and vapours from the lavatory and prevents the escape of the bad odours.



airtoilet

combined with a MACERATOR

When you cannot install a bathroom, even by using chopper tanks, because there is no way of ventilating the room as required by the law.



Solve the problem !!

when

an ordinary air extractor cannot be installed

